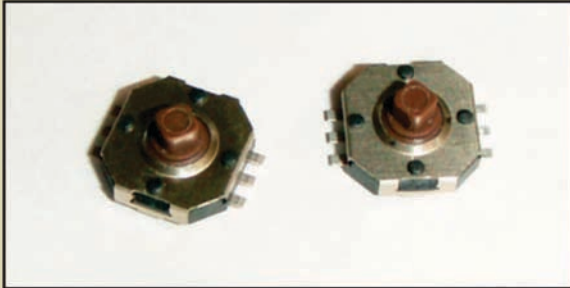


# SERIES JS1400 SWITCHES



## 5-POSITION NAVIGATION SWITCH



### MECHANICAL SPECIFICATIONS

Mechanical Life:	100,000 cycles
Force:	360 +/- 60 g center actuation; 160 +/- 50 g tilt actuation
Travel:	Tilt: 5° +2.5°/-1°; center direction: 0.25 +0.1/-0.2mm

### ELECTRICAL SPECIFICATIONS

Contact Arrangement:	SP 5 positions, Normally Open
Contact Rating:	12VDC, 50mA
Contact Resistance:	100mΩ (initial max)
Insulation Resistance:	100MΩ (Min @ 500VDC)
Dielectric Strength:	250VAC

### ENVIRONMENTAL SPECIFICATIONS

Operating Temperature:	-20°C to +70°C
Storage Temperature:	-40°C to +85°C

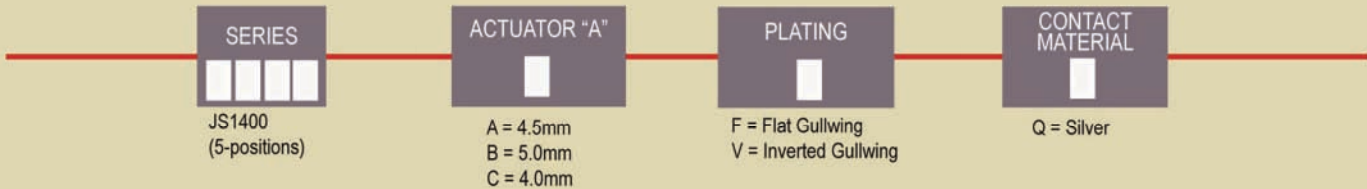
### FEATURES & BENEFITS

5-position joystick switch  
Designed for SMT applications  
that require navigation

### APPLICATIONS / MARKETS

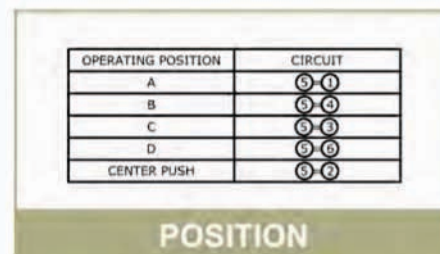
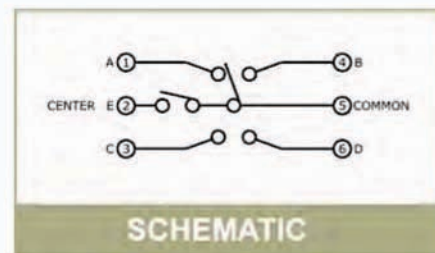
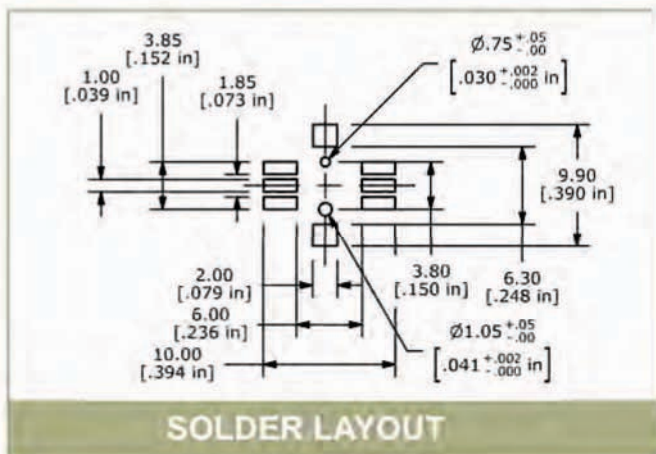
Handheld instrumentation  
Navigation  
Telecommunications  
Consumer electronics where user  
interface is needed

### HOW TO ORDER:



Tape and Reel packaging, 850 pieces per reel

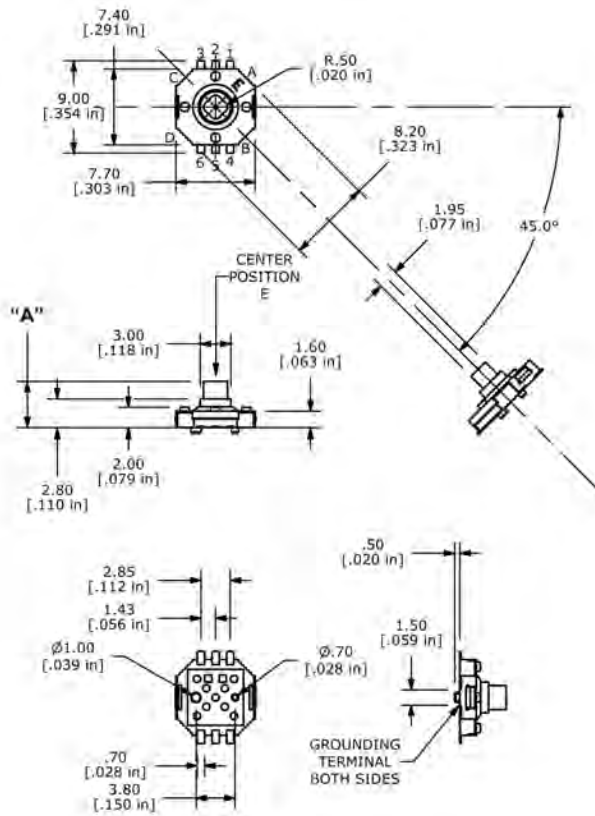
Specifications subject to change without notice.



# SERIES JS1400 SWITCHES



## "F" Flat Gullwing Termination:



## "V" Inverted Gullwing Termination:

